

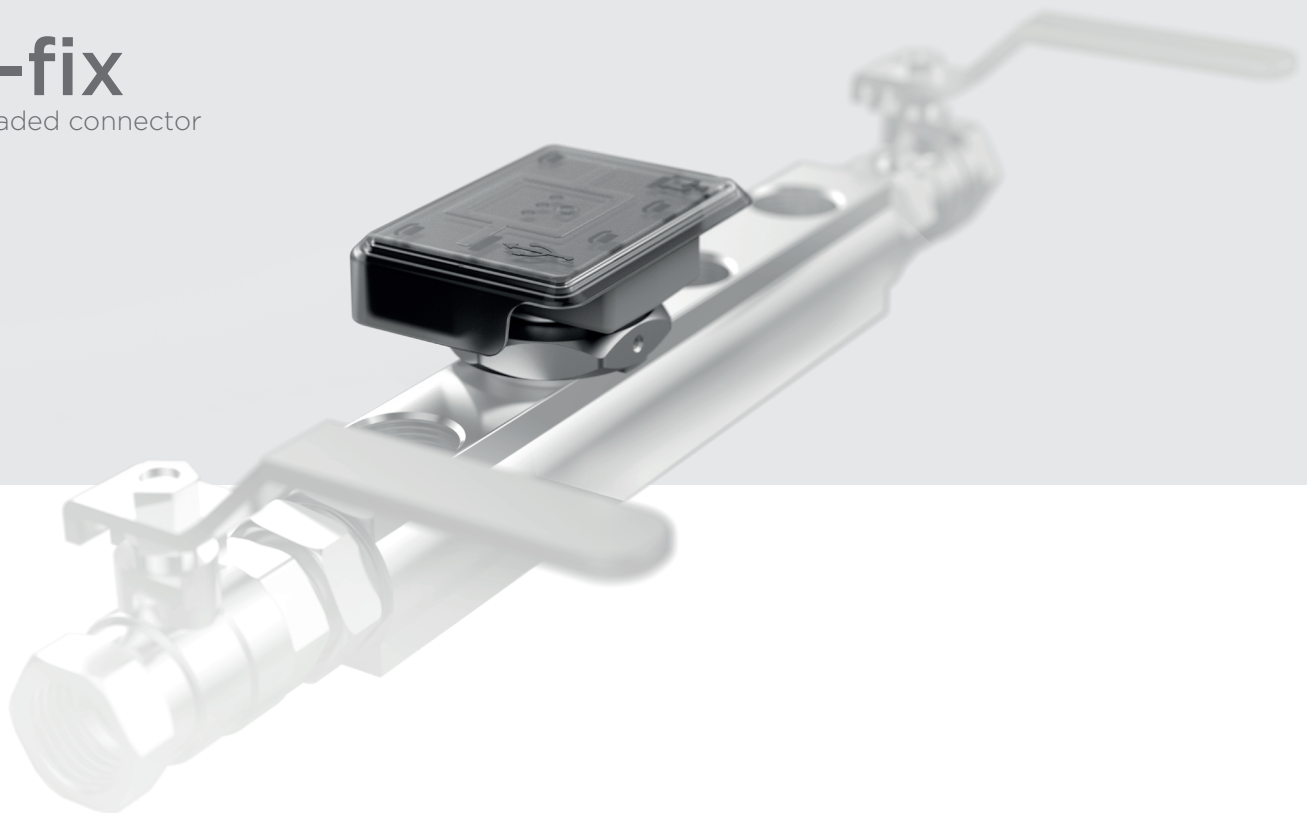
# Risycor CBU

Corrosion monitor with alarm function

+

## B-fix

Threaded connector



### Specification text

*Risycor CBU corrosion monitor with alarm function for heating systems.*

Mounted with a **B-fix** threaded connector between existing valves or in a device that can be isolated (boiler, filter, ...), which places the metal coupon at the tip of the probe in the water flow. The oxidation of this coupon is representative of the uniform corrosion within the system. The logger records the corrosion rate against time and warns of inadmissible values or a defect. The memory can be read out with a computer\*.

***B-fix** threaded connector for bayonet mounting of the corrosion monitor Risycor CBU.*

\* See technical data

## Components



### Risycor CBU

Logger-probe combination

Art. No. 2001120



### B-fix

Threaded connector

Incl. 2x M3x0,5 screws



### Risycor CBU-fix set

Art. No. 1003020



Mains adaptor

## Technical data

### Outputs, signals, alarm

Visual:

- Various LEDs for display of operating and alarm status

USB:

- Memory readout\*

Volt-free contact for:

- Building management system, remote surveillance, other signal transmitter (SMS module, audible alarm, flashing light, ...), shutting down of the boiler, ...

Alarm in case of:

- Corrosion rate too high (adjustable)
- Fault in the corrosion monitor
- End of life of the metal coupon on the probe

### Characteristics

Physical:

- Pressure range: 0 to 6 bar
- Temperature range: 5 to 85 °C, integrated temperature compensation
- Environment: 0 to 45 °C, no condensation
- Storage: -5 to 60 °C

- Risycor CBU probe: PPS
- Risycor CBU logger cover: PC
- Coupon: Fe
- B-fix threaded connector: brass CW614N
- See also dimensions

Electrical:

- Mains adaptor: CEE 7/16, 230 VAC, 50 Hz  
→ 5 VDC mini-USB
- Power consumption: 2,5 W
- Volt-free contact:
  - nominal 48 VDC, 100 mA or 48 VAC RMS 80 mA
  - max. 350 mA @ < 10 ms
- IP52

### Others

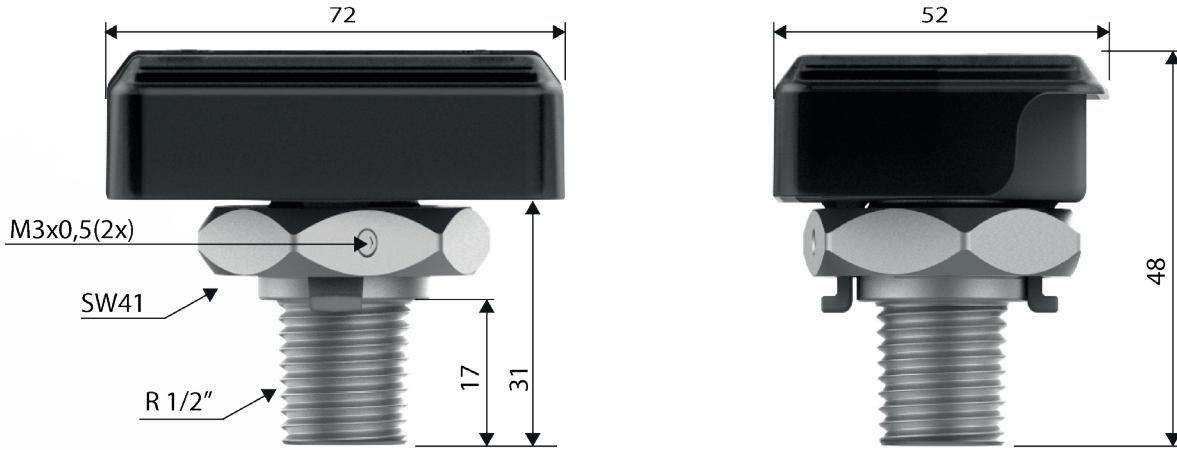
- Autonomy of the memory: 10+ years
- Data storage: every 7 hours

\* See also related products

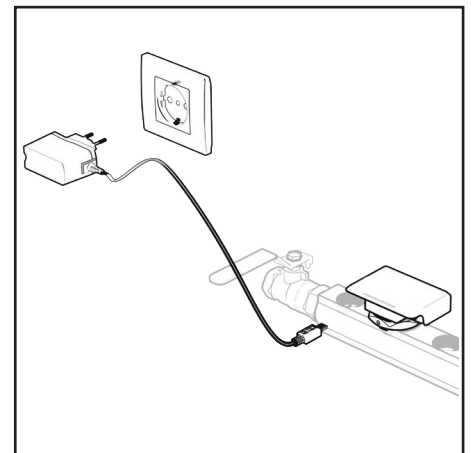
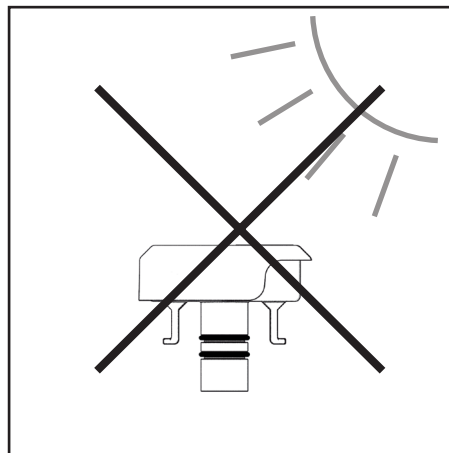
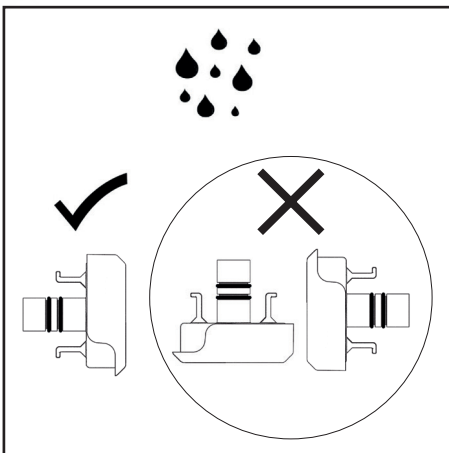
## Dimensions (nominal)

- Risycor CBU logger-probe combination
- B-fix threaded connector
- Mains adaptor
- Carton packaging
- Total weight

72 mm \* 52 mm \* 53 mm  
H = 31 mm with R 1/2" thread, M3x0,5 (2x), SW41  
75 mm \* 59 mm \* 6 mm (power cord length 1,5 m)  
256 mm \* 192 mm \* 90 mm  
680 g



## Assembly tips



## Application

The philosophy behind the application of the Risycor is explained in detail in the document “Application guideline”.

## Related products



### Resus Dashboard

Free software for reading and analysing the collected data.

**Resus PC Dashboard (Windows):** USB directly connected or via saved .CSV files.



### Risycor Art. No. : 3001010

Portable device for the convenient copying of collected data on SD card (.CSV files).



Resus Distri nv  
Bredabaan 839  
B-2170 MERKSEM (Antwerp)  
Belgium

t +32 3 640 33 91  
f +32 3 640 33 93

[www.resus.eu](http://www.resus.eu)

---