

Risycor CBU

Corrosion monitor with alarm function

+

Zerofix

Lockshield valve device



Specification text

Risycor CBU corrosion monitor with alarm function for heating systems.

Mounting in the pipe with a flow-through Zerofix lockshield valve device, which places the metal coupon at the tip of the probe in the water flow. The oxidation of this coupon is representative of the uniform corrosion within the system. The logger records the corrosion rate against time and warns of inadmissible values or a defect. The memory can be read out with a computer*.

Zerofix lockshield valve device for bayonet mounting of the corrosion monitor **Risycor CBU** with connection for expansion vessel and drain valve.

Mounting in the return; the lockshield valve function with drain valve allows draining of the expansion vessel in order to check the inflation pressure and to correct if required.

* See technical data

Components



Tie wrap

Drain valve

Mains adaptor

Risycor CBU

Logger-probe combination
Art. No. 2001120

Zerofix 25/25/20

Lockshield valve device



Risycor CBU-Zerofix set

Incl. manual

Art. No. 1003010
1003030 (UK)

Technical data

Outputs, signals, alarm

Visual:

- Various LEDs for display of operating and alarm status

USB:

- Memory readout*

Volt-free contact for:

- Building management system, remote surveillance, other signal transmitter (SMS module, audible alarm, flashing light, ...), shutting down of the boiler, ...

Alarm in case of:

- Corrosion rate too high (adjustable)
- Fault in the corrosion monitor
- End of the service life of the metal coupon on the probe

Characteristics

Physical:

- Pressure range: 0 to 6 bar
- Temperature range: 5 to 85 °C, integrated temperature compensation
- Environment: 0 to 45 °C, no condensation
- Storage: -5 to 60 °C

- Zerofix lockshield valve device:
 - Housing: nickel plated CW617N (EN12165)
 - Ball: PPSU
 - Sealings: PTFE G400
- Risycor CBU probe: PPS
- Risycor CBU logger cover: PC
- Coupon: Fe
- Connections Zerofix 25/25/20: 2xG1", G3/4" connection for expansion vessel, G3/8" drain valve with hose tail 12,5 mm
- See also dimensions

Electrical:

- Mains adaptor: CEE 7/16, 230 VAC, 50 Hz
→ 5 VDC mini-USB
- Power consumption: 2,5 W
- Volt-free contact:
 - nominal 48 VDC, 100 mA or 48 VAC RMS 80 mA
 - max. 350 mA @ < 10 ms
- IP52

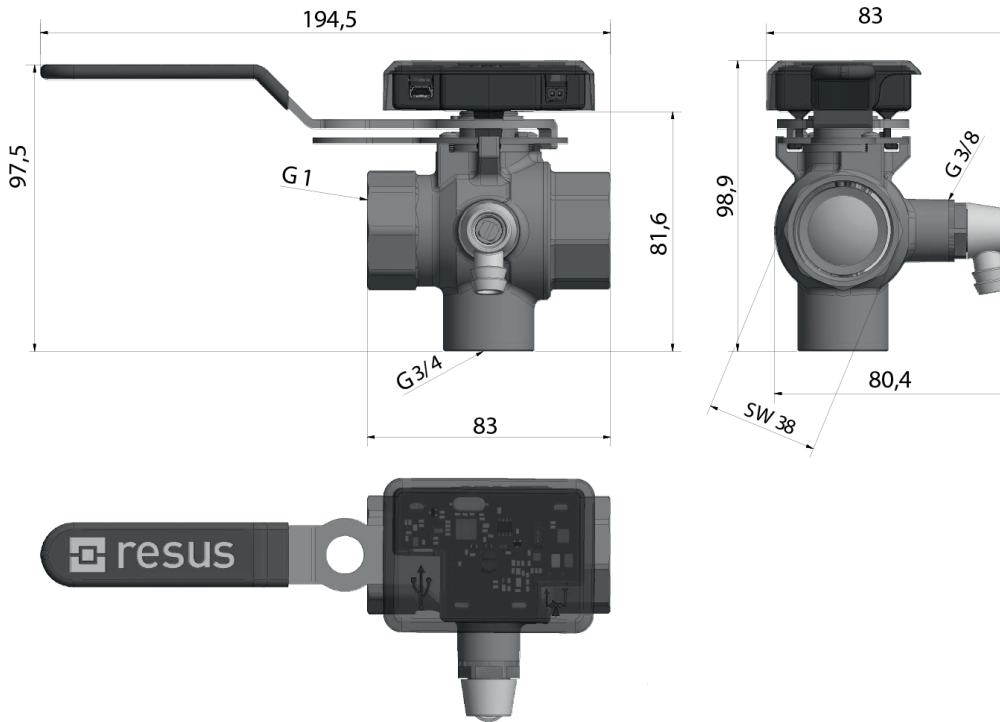
Others

- Autonomy of the memory: 10+ years
- Data storage: every 7 hours

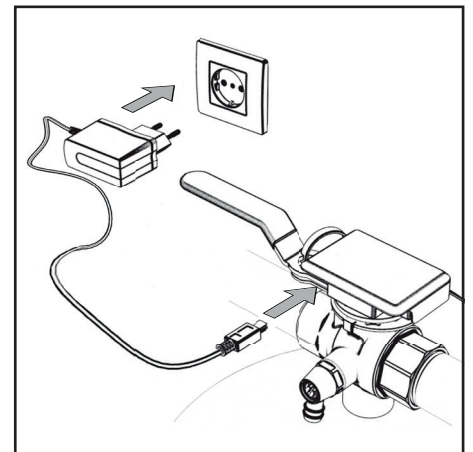
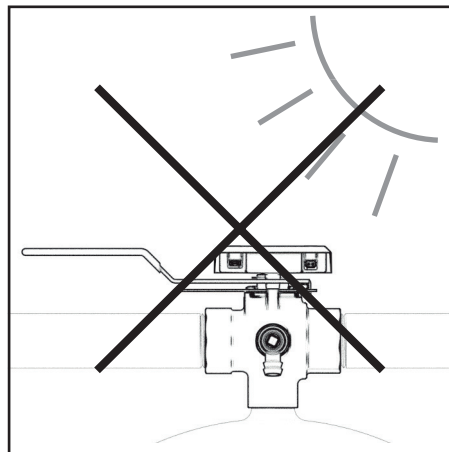
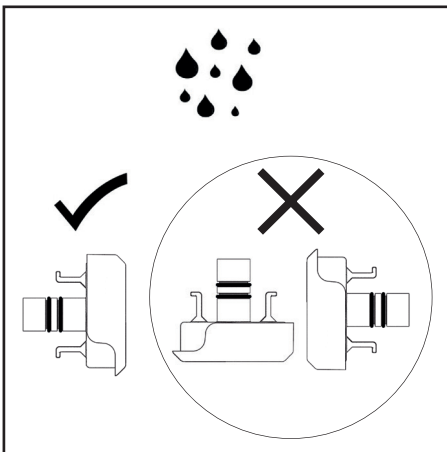
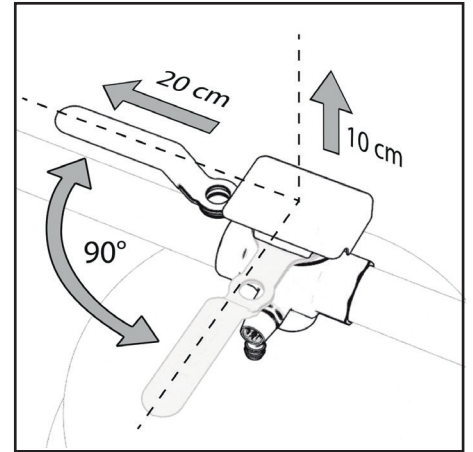
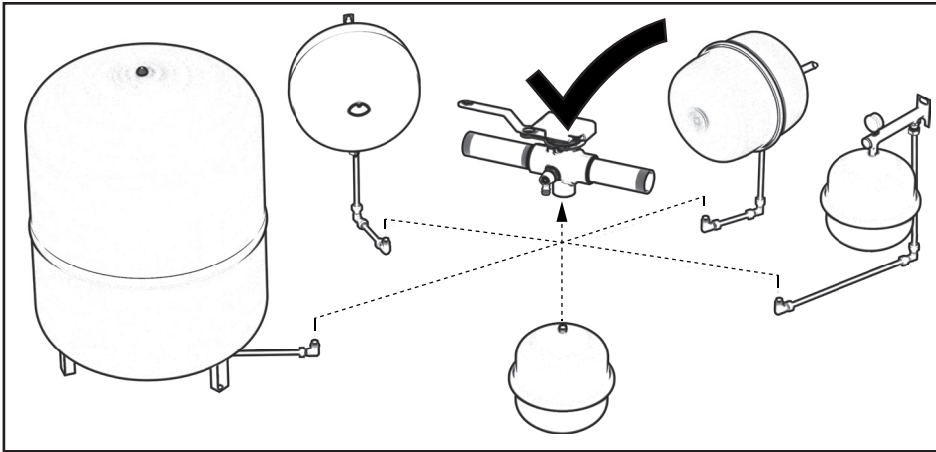
* See also related products

Dimensions

- Risycor CBU logger-probe combination 72 mm * 52 mm * 53 mm
- Zerofix lockshield valve device DN25 * DN25 * DN20
- Mains adaptor 75 mm * 59 mm * 6 mm (power cord length 1,5 m)
- Carton packaging 256 mm * 192 mm * 90 mm
- Total weight 1145 g



Assembly tips



Application

The philosophy behind the application of the Risycor is explained in detail in the document "Application guideline".

Related products



Resus Dashboard

Free software for reading and analysing the collected data.

Resus PC Dashboard (Windows): USB directly connected or via saved .CSV files.



Risycor Art. No. : 3001010

Portable device for the convenient copying of collected data on SD card (.CSV files).



Resus Distri nv
Bredabaan 839
B-2170 MERKSEM (Antwerp)
Belgium

t +32 3 640 33 91
f +32 3 640 33 93

www.resus.eu