

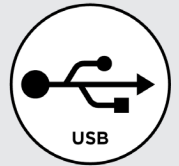
Risycor CX2

Corrosion monitor with alarm function

+

X-fix

Threaded connector



Specification text

Risycor CX2 corrosion monitor with alarm function for heating and cooling systems.

Mounted perpendicular to the pipe with the threaded connector **X-fix**, which places the metal coupon at the tip of the probe in the water flow. The oxidation of this coupon is representative of the uniform corrosion within the system. The logger records the corrosion rate against time and warns of inadmissible values or a defect. The memory can be read out with a computer*.

* See technical data

Components



Risycor CX2
Logger



Mains adaptor



Risycor CX
Probe
Art. No. : 2001050



X-fix
Threaded connector



Risycor CX2-fix set

Incl. manual
Art. No. : 1001015
1001021 (UK)

Technical data

Outputs, signals, alarm

Visual:

- Various LEDs for display of operating and alarm status

USB:

- Memory readout*

Volt-free contact for:

- Building management system, remote surveillance, other signal transmitter (SMS module, audible alarm, flashing light, ...), shutting down of the boiler, ...

Alarm in case of:

- Corrosion rate too high (adjustable)
- Fault in the corrosion monitor
- End of the service life of the metal coupon on the probe

* See also related products

Characteristics

Physical:

- Pressure range: 0 to 6 bar
- Temperature range: 5 to 95 °C, integrated temperature compensation
- Environment: 0 to 45 °C, no condensation
- Storage: -20 to 60 °C

- Risycor CX probe: PPS
- Risycor CX2 logger: PC
- Coupon: Fe
- X-fix threaded connector: brass CW614N
- See also dimensions

Electrical:

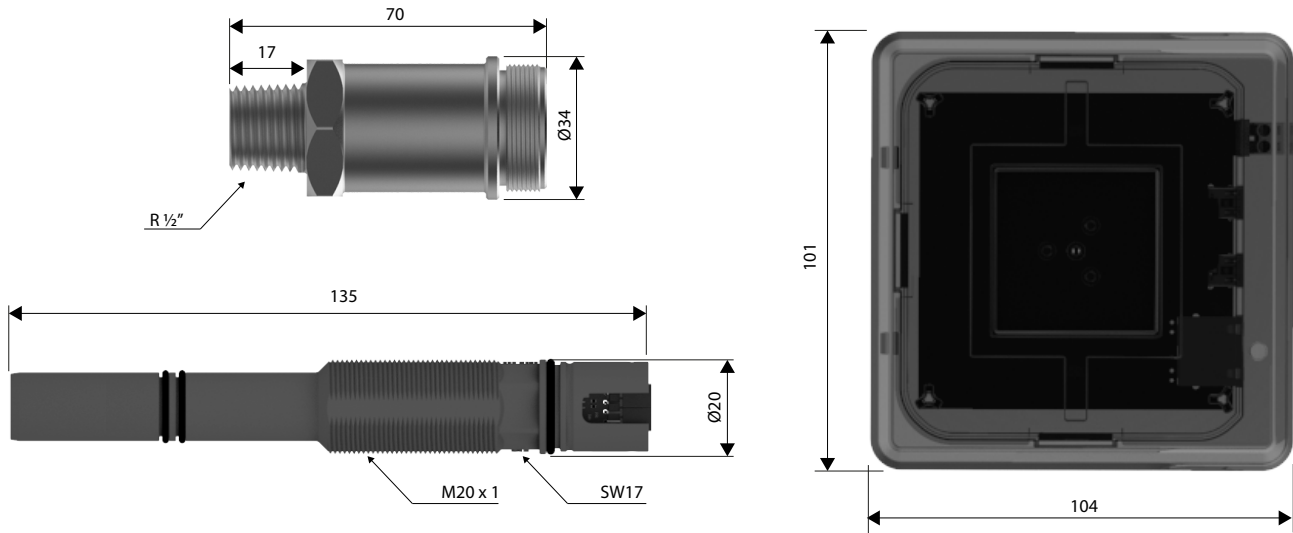
- Mains adaptor: CEE 7/16, 230 VAC, 50 Hz
→ 5 VDC mini-USB
- Power consumption: 6 W
- Volt-free contact
 - nominal 24 VDC/VAC, 100 mA
 - max. 48 VDC/VAC, 2 A, 60 W
- IP52

Others

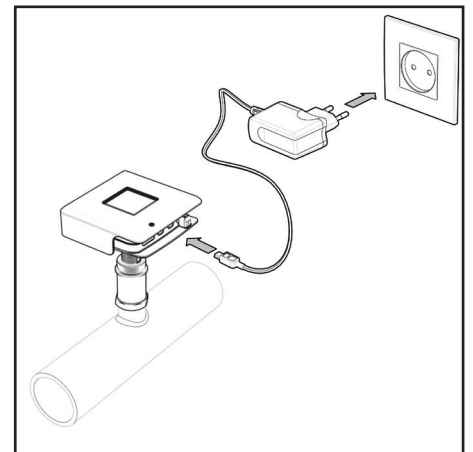
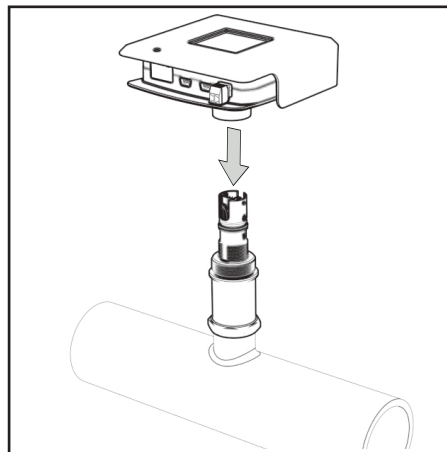
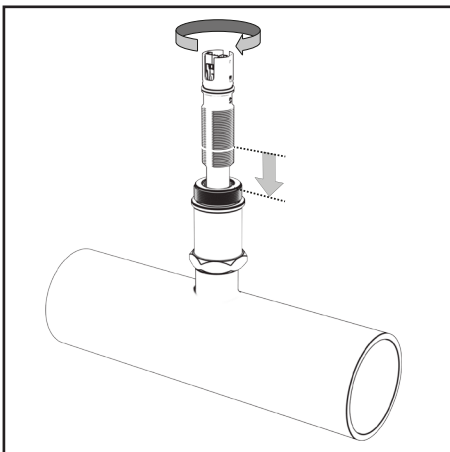
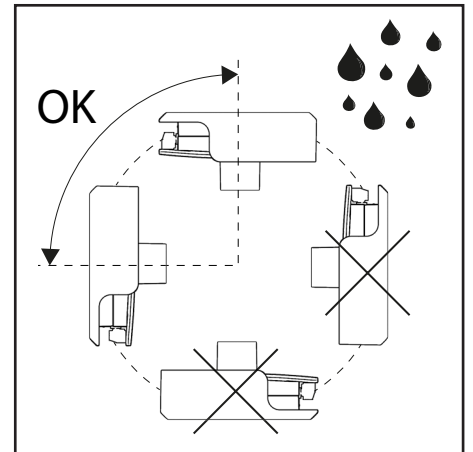
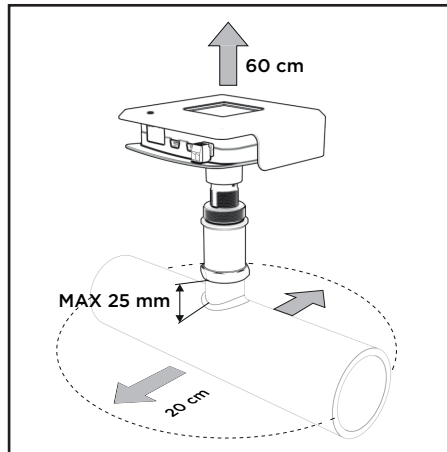
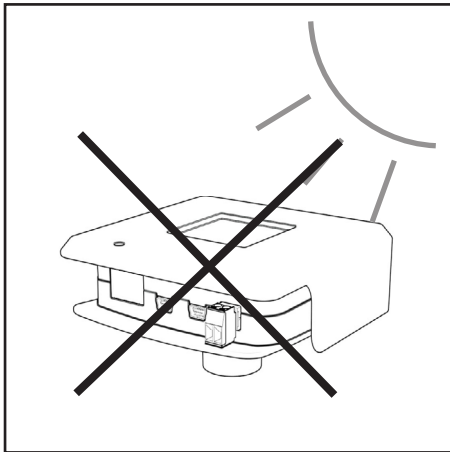
- Autonomy of the memory: 10+ years
- Data storage: every 7 hours

☐ Dimensions (nominal)

- Risycor CX2 logger 101 mm * 104 mm * 32 mm
- Risycor CX probe Ø20 mm * 135 mm
- X-fix threaded connector Ø34 mm * 70 mm with R 1/2" thread (max. 25 mm deep!)
- Mains adaptor 75 mm * 59 mm * 6 mm (power cord length 1,5 m)
- Carton packaging 256 mm * 192 mm * 64 mm
- Total weight 860 g



☐ Assembly tips



Application

The philosophy behind the application of the Risycor is explained in detail in the document “Application guideline”.

Related products



Resus Dashboard

Free software for reading and analysing the collected data.

Resus PC Dashboard (Windows): USB directly connected or via saved .CSV files

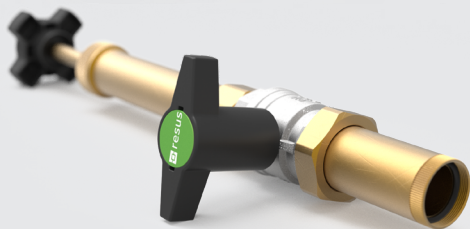
Resus Cloud Dashboard: online internet version (CXI and CXL)

Resus Ethernet Browser Dashboard: LAN ethernet version (CXE)



Risycor Art. No. : 3001010

Portable device for the convenient copying of collected data on SD card (.CSV files).



Retractor Art. No. : 3001020

Specific tool to service any X-probe during normal operation of the system without interruption.



Resus Distri nv
Bredabaan 839
B-2170 MERKSEM (Antwerp)
Belgium

t +32 3 640 33 91
f +32 3 640 33 93

www.resus.eu