

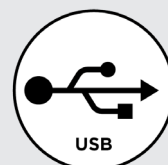
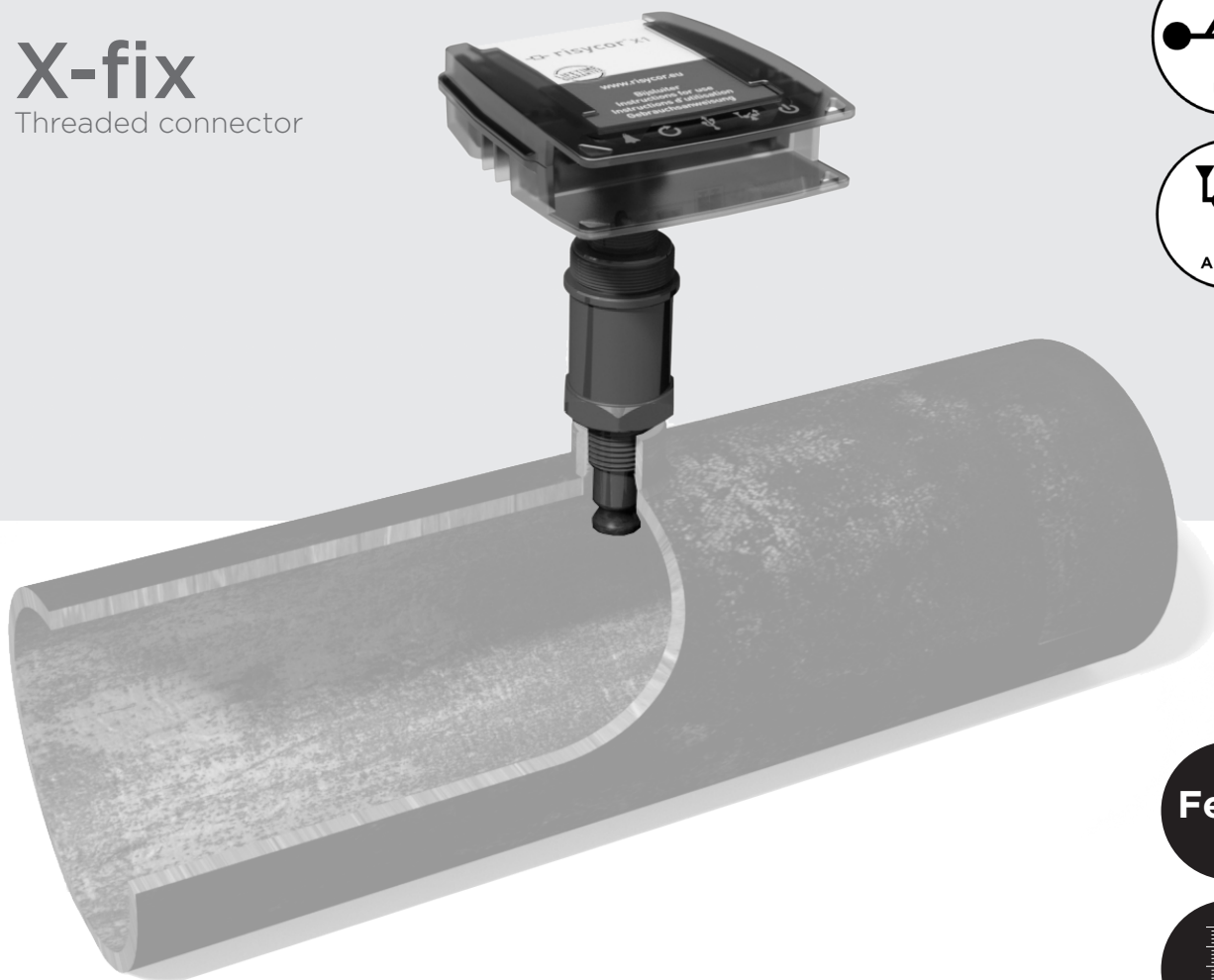
Risycor X2

Corrosion monitor with alarm function

+

X-fix

Threaded connector



USB



ALARM



Specification text

Risycor X2 corrosion monitor with alarm function for heating systems.

Mounted perpendicular to the pipe with the threaded connector **X-fix**, which places the metal coupon at the tip of the probe in the water flow. The oxidation of this coupon is representative of the uniform corrosion within the system. The logger records the corrosion rate against time and warns of inadmissible values or a defect. The memory can be read out with a computer*.

* See technical data

Components



Risycor X2
Logger



Mains adaptor



Risycor X2
Probe
Art. No. : 2001040



X-fix
Threaded connector



Risycor X2-fix set

Incl. manual
Art. No. : 1001010
1001020 (UK)

Technical data

Outputs, signals, alarm

Visual:

- Various LEDs for display of operating and alarm status

USB:

- Memory readout*

Volt-free contact for:

- Building management system, remote surveillance, other signal transmitter (SMS module, audible alarm, flashing light, ...), shutting down of the boiler, ...

Alarm in case of:

- Corrosion rate too high (adjustable)
- Fault in the corrosion monitor
- End of the service life of the metal coupon on the probe

* See also related products

Characteristics

Physical:

- Pressure range: 0 to 6 bar
- Temperature range: 5 to 85 °C, integrated temperature compensation
- Environment: 0 to 45 °C, no condensation
- Storage: 0 to 35 °C

- Risycor X2 probe: brass CW614N and PPS
- Risycor X2 logger: PC
- Coupon: Fe
- X-fix threaded connector: brass CW614N
- See also dimensions

Electrical:

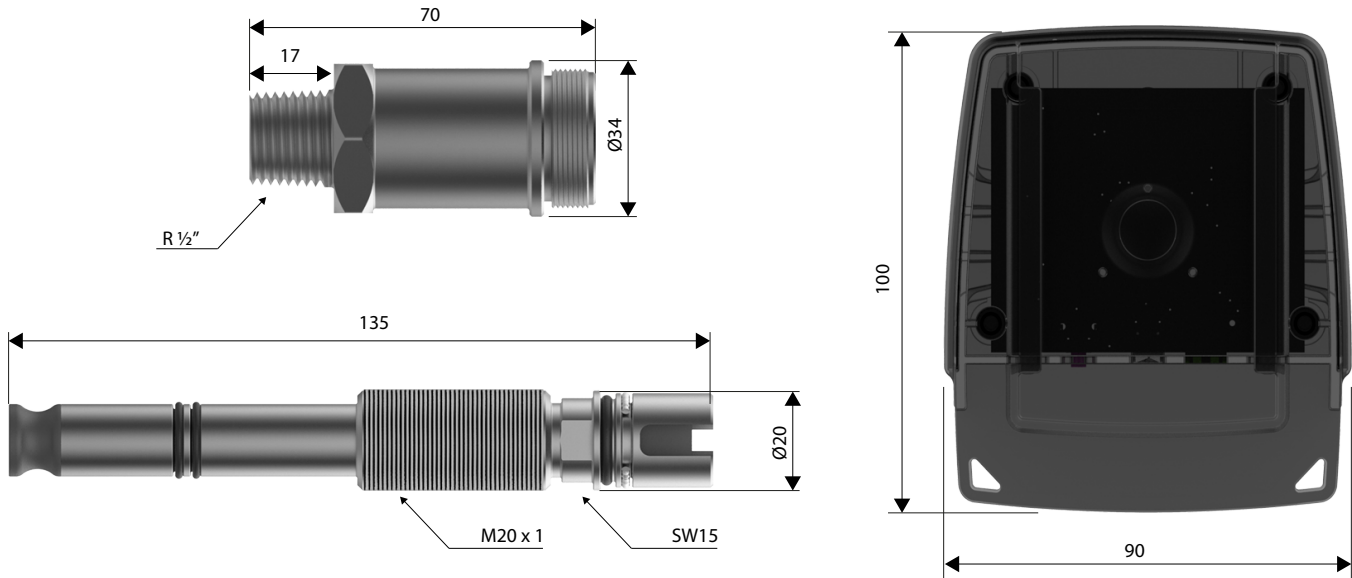
- Mains adaptor: CEE 7/16, 230 VAC, 50 Hz
→ 5VDC mini-USB
- Power consumption: 6 W
- Volt-free contact:
 - nominal 24 VDC/VAC, 100 mA
 - max. 48V DC/VAC, 2 A, 60 W
- IP52

Others

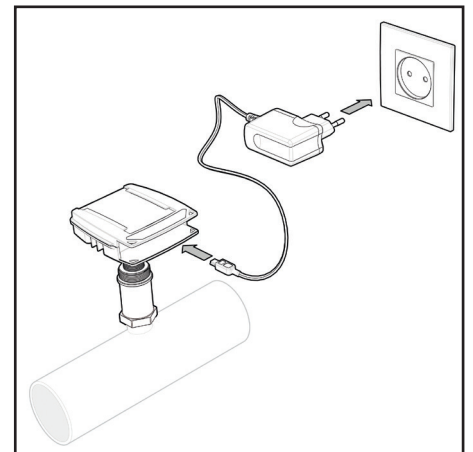
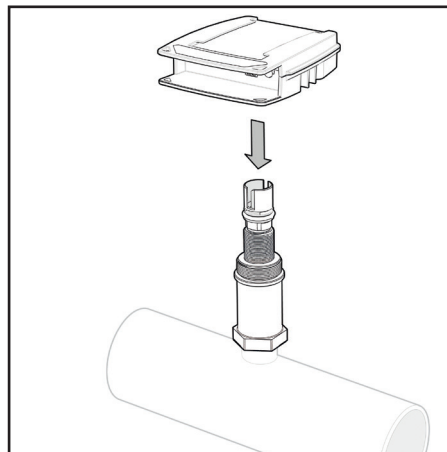
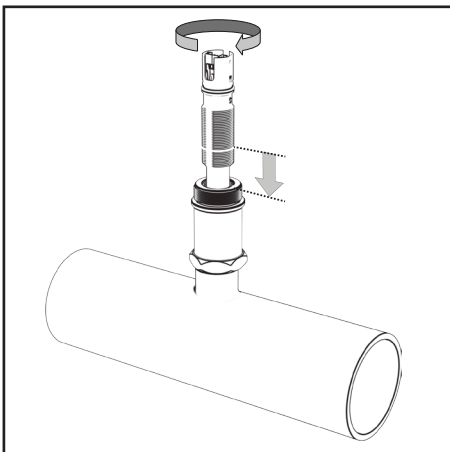
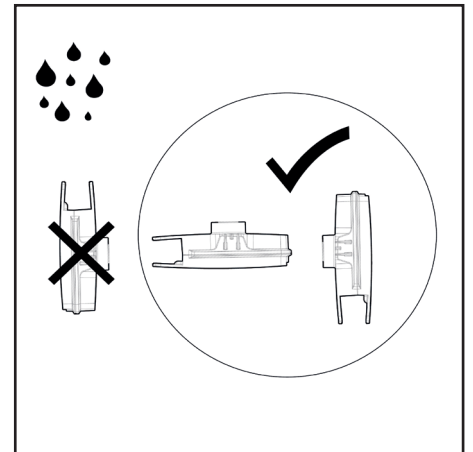
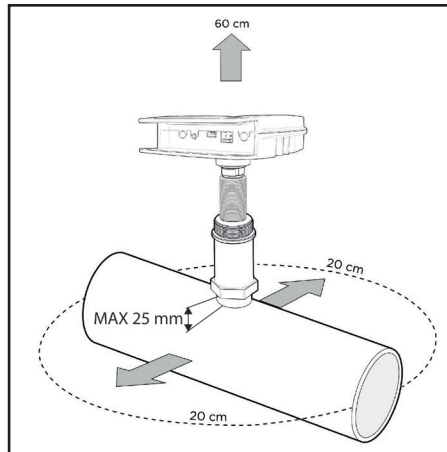
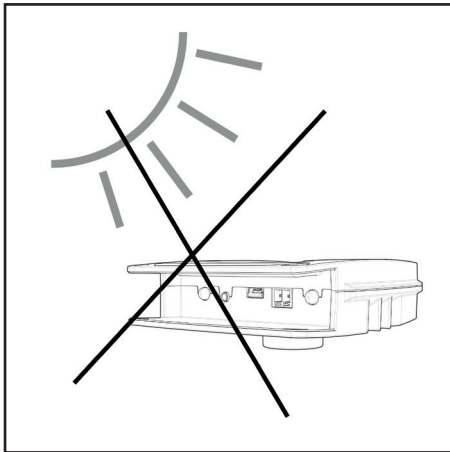
- Autonomy of the memory: 10+ years
- Data storage: every 7 hours

Dimensions (nominal)

- **Risycor X2 logger** 90 mm * 100 mm * 35 mm
- **Risycor X2 probe** Ø20 mm * 135 mm
- **X-fix threaded connector** Ø34 mm * 70 mm with R 1/2" thread (max. 25 mm deep!)
- **Mains adaptor** 75 mm * 59 mm * 6 mm (power cord length 1,5 m)
- **Carton packaging** 235 mm * 188 mm * 70 mm
- **Total weight** 815 g



Assembly tips



Application

The philosophy behind the application of the Risycor is explained in detail in the document “Application guideline”.

Related products



Resus Dashboard

Free software for reading and analysing the collected data.

Resus PC Dashboard (Windows): USB directly connected or via saved .CSV files.



Risycor Art. No. : 3001010

Portable device for the convenient copying of collected data on SD card (.CSV files).



Retractor Art. No. : 3001020

Specific tool to service any X-probe during normal operation of the system without interruption.



Resus Distri nv
Bredabaan 839
B-2170 MERKSEM (Antwerp)
Belgium

t +32 3 640 33 91
f +32 3 640 33 93

www.resus.eu